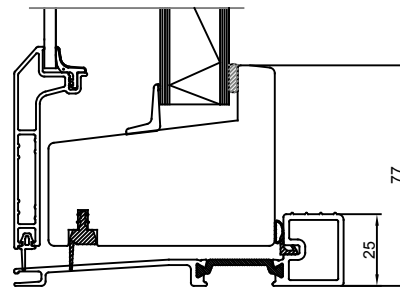
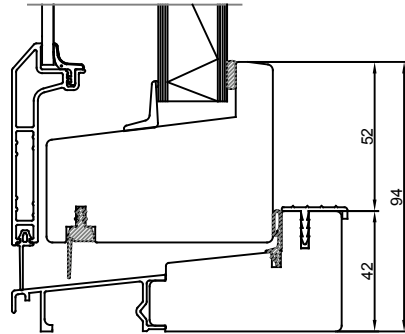
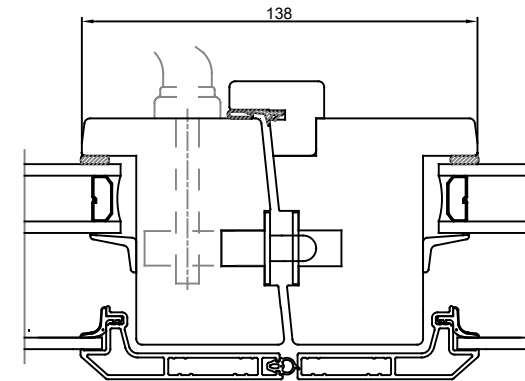
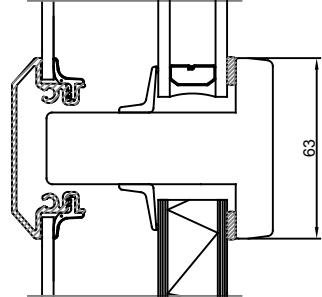
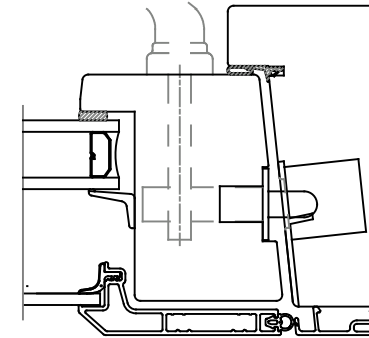
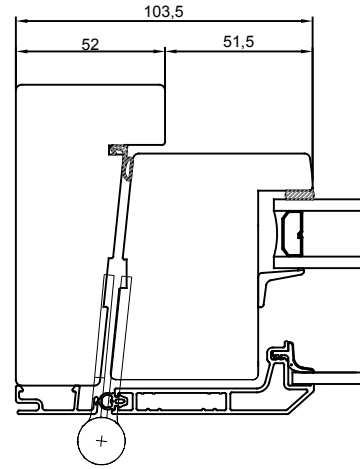
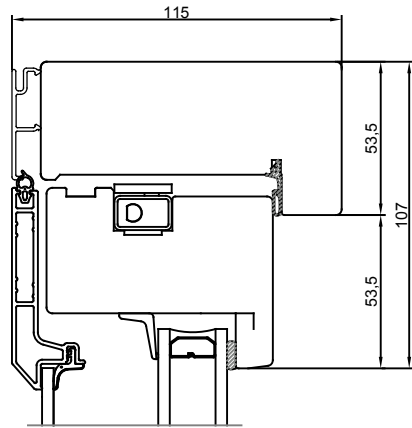



Rev	Description	Rev. by	Date
B	Ytterbåge minskad med 1mm	HS	2017-03-30



Designed by	Designed date	Product Category	Processing Code	
HS	2016-04-15	Window Outward		
Approved by	Approved date	Product Type	Material	
	2017-03-30	Coupled		
		<b>Snitritning</b> <b>2+1 utåtgående</b> <b>Section drawing</b> <b>2+1 outward opening</b>	Tolerances unless otherwise specified	View orientation
			Article Number	Scale
			Drawing Number	Revision
			61-37-D301 E	B